

MCS-B POWER SUPPLY 1-PHASE,

IN: 100-265VAC OUT: 24V/10ADC

INPUT: 100...265 V AC
 OUTPUT: 24 V DC +3/-1%
 Current: 10 A

[Link to Product](#)**Illustration**

Product may differ from Image

Approvals**Input**

Input voltage	100...265 V AC
Input current	3.4 A (115 V AC); 2.2 A (230 V AC)
Inrush current after 1 ms	max. 40 A
Primary fusing external	max. 16 A
Frequency	50...60 Hz

Output

Output voltage	24 V DC (SELV), $\pm 1\%$; 22...28 V adjustable
Output current	10 A (+40 °C); 8 A (+55 °C)
Mains failure bridging time	min. 15 ms (115 V AC); min. 115 ms (230 V AC)
Ripple	max. 20 mV eff/rms
Spikes	max. 100 mV ss/pp
Unit protection	short-circuit and overload protected
LED display	LED (green) for output voltage
Parallel usage/serial usage	max. 5 units/max. 2 units

General data

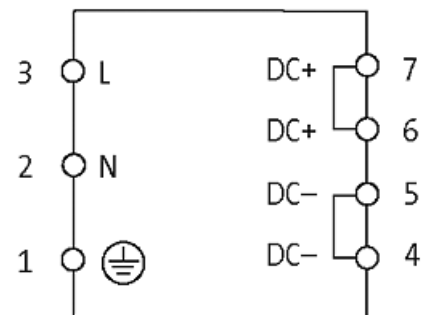
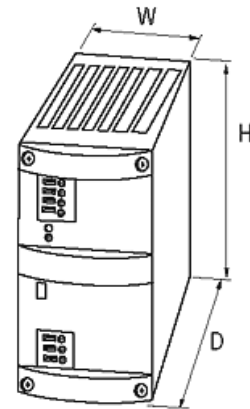
Standards	EN 60950-1, EN 61204-3, EN 55011 A
Relative humidity	5...95%, no condensation

Efficiency	83% (115 V AC); 85% (230 V AC)
Mounting method	DIN-rail mountable TH35 (EN 60715)
Dimensions H×W×D	128×68×165 mm
Temperature range	-25...+40 °C, ...+50 °C derating (storage temperature -25...+85 °C)

Commercial data

country of origin	CZ
customs tariff number	85044090
EAN	4048879080354
eClass	27049002
Packaging unit	1

Sketch



Product may differ from Image